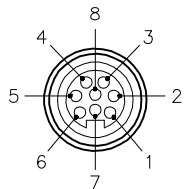
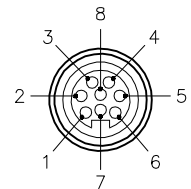
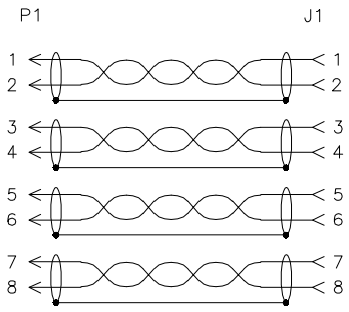
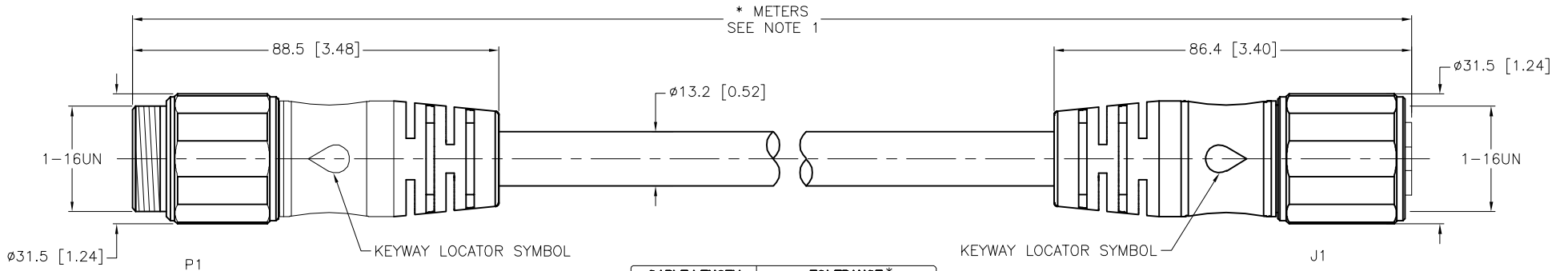


MALE END VIEW	FEMALE END VIEW	WIRING DIAGRAM	SPECIFICATIONS	
 PAIR { 1 = BLACK 2 = WHITE 3 = BLUE 4 = RED 5 = YELLOW 6 = BROWN 7 = GRAY 8 = GREEN	 PAIR { 1 = BLACK 2 = WHITE 3 = BLUE 4 = RED 5 = YELLOW 6 = BROWN 7 = GRAY 8 = GREEN		CONTACT CARRIER MATERIAL	TPU
			MOLDED HEAD MATERIAL/COLOR	TPU/BLACK
			CONTACT MATERIAL/PLATING	BRASS/GOLD
			COUPLING NUT MATERIAL/FINISH	STAINLESS STEEL/PASSIVATED
			RATED CURRENT [A]	8.0 A
			RATED VOLTAGE [V]	600 V
			OUTER JACKET MATERIAL/COLOR	EX60/BLACK
			CONDUCTOR INSULATION MATERIAL	XLPE
			NUMBER OF CONDUCTORS	8x18 AWG
			CONDUCTOR ARRANGEMENT	4 SHIELDED TWISTED PAIRS W/ DRAIN, 1 DRAIN
			DRAIN/SHIELD	5x20 AWG DRAINS, ALUMINUM-POLYESTER FOIL SHIELD
			TEMPERATURE RATING	-60°C to +105°C (-76°F to +221°F)
			PROTECTION CLASS	MEETS NEMA 1,3,4,4X,6P,12 AND IEC IP67,IP68,IP69,IP69K
			CABLE APPROVALS	UL: TC-ER/ITC-ER/PLTC-ER, Direct Burial, 105°C; -40°C COLD IMPACT; -60°C COLD BEND CSA: CIC/TC, DIRECT BURIAL, 90°C, 600V; -40°C COLD IMPACT; -60°C COLD BEND UL 1309 MARINE SHIPBOARD 600V; ABS CERTIFIED; IEEE 1202/FT4; IEEE 1580-2010; IEC 60332-3-22




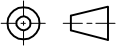
CABLE LENGTH	TOLERANCE*
ALL LENGTHS	+ 4% (OR 50mm) OF LENGTH - 0% (OR 0mm) OF LENGTH WHICHEVER IS GREATER
STRIP LENGTH	TOLERANCE*
0-7mm	±0.5mm
8-29mm	±1.0mm
30-49mm	±2.0mm
50-69mm	±3.0mm
70-100mm	±4.0mm
OVER 100mm	±5.0mm

* UNLESS OTHERWISE SPECIFIED

SOURCE DRAWING - FOR REFERENCE ONLY

NOTES:

- "*" INDICATES CABLE LENGTH IN METERS. CONTACT TURCK TO ORDER SPECIFIC LENGTHS.
- 2020 NEC NOW REQUIRES A DEDICATED GROUND CONDUCTOR FOR ITC-ER AND PLTC-ER CABLES WHEN INSTALLED IN HAZARDOUS LOCATIONS ALTHOUGH UL CABLE STANDARDS DO NOT REQUIRE A GROUND CONDUCTOR. THIS PRODUCT DOES NOT HAVE A DEDICATED GROUND CONDUCTOR. THEREFORE, WHEN INSTALLED IN A HAZARDOUS LOCATION THE INSTALLATION PRACTICES FOR ITC OR PLTC CABLES MUST BE FOLLOWED TO PROVIDE GROUND CONTINUITY.

RELATED DOCUMENTS		3RD ANGLE PROJECTION		THIS DRAWING IS CONFIDENTIAL AND THE PROPERTY OF TURCK INC. USE OF THIS DOCUMENT WITHOUT WRITTEN PERMISSION IS PROHIBITED.		 3000 CAMPUS DRIVE MINNEAPOLIS, MN 55441 1-800-544-7769 (763) 553-7300 (763) 553-0708 fax www.turck.us	
1. 2. 3. 4.				DRFT NF	DATE 02/09/15	DESCRIPTION P-RSV RKV 80-1158XL-*M	
MATERIAL SEE SPECIFICATIONS		ALL DIMENSIONS DISPLAYED ON THIS DRAWING ARE FOR REFERENCE ONLY		APVD J.S.	SCALE 1=1.5	IDENTIFICATION NO.	
FINISH SEE SPECIFICATIONS		CONTACT TURCK FOR MORE INFORMATION		UNIT OF MEASUREMENT MILLIMETER [INCH]		REV F	
F ADD PROTECTION CLASS		RDS	04/22/21	76669		DO NOT SCALE THIS DRAWING	
REV DESCRIPTION		BY	DATE	ECO NO.		FILE: 777034663	
						SHEET 1 OF 1	